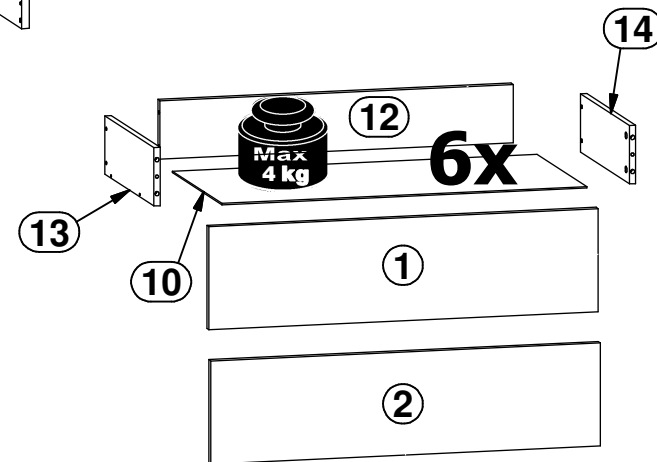
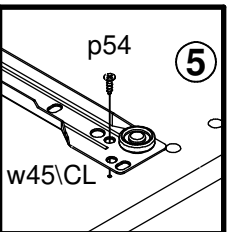
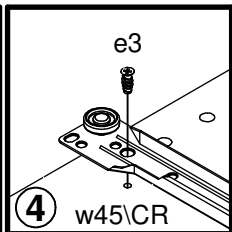
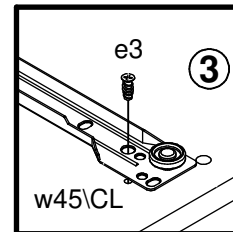
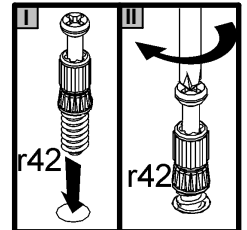
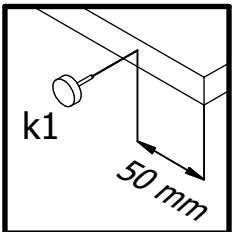
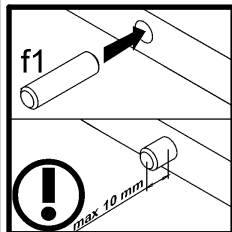
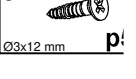
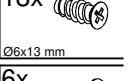
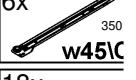
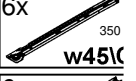
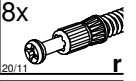
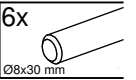
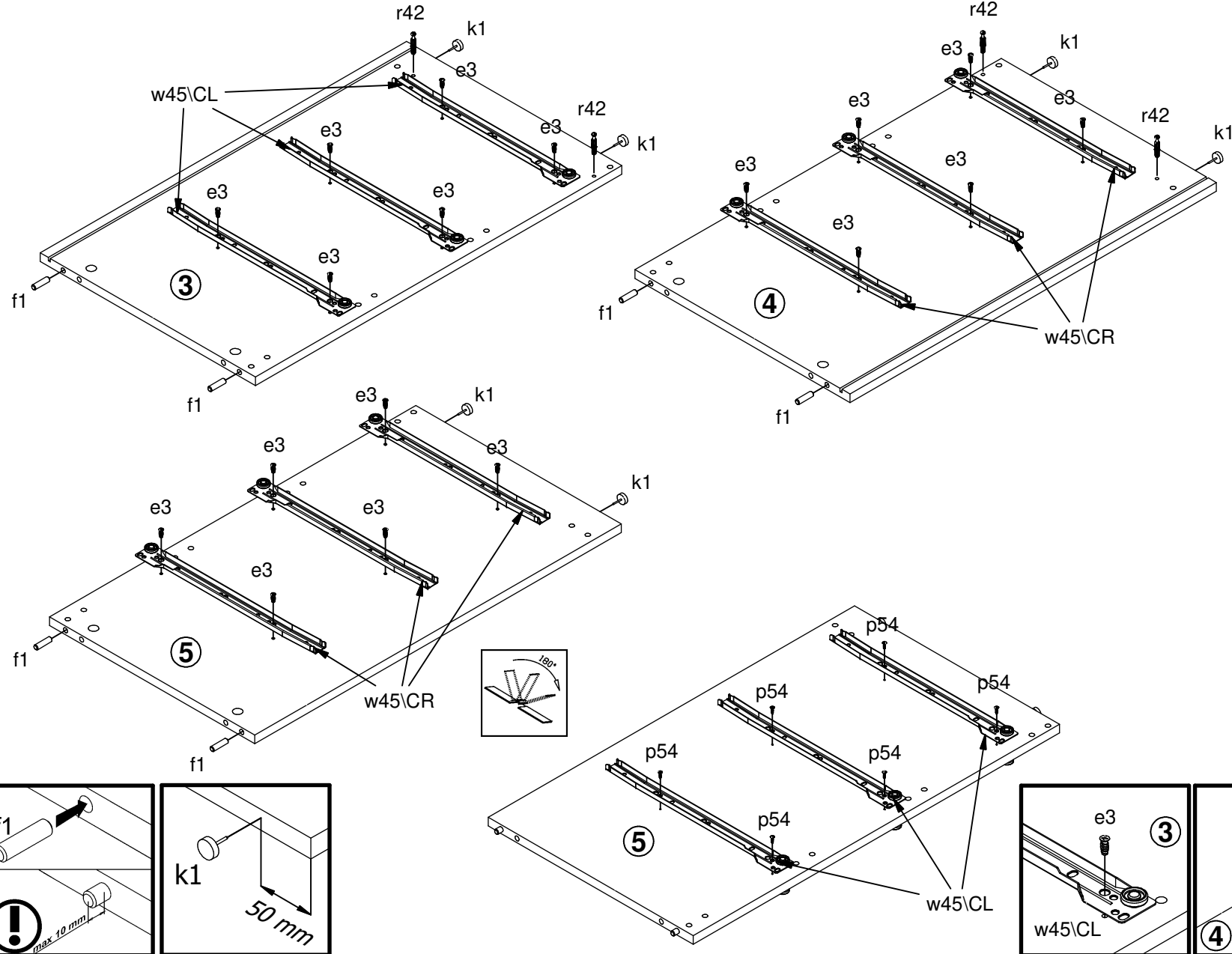


A	B	C (mm)			D
1	S442-0006	746	194	15	2/2
2	S442-0007	746	194	15	2/2
3	S442-1019	732	430	15	1/2
4	S442-1020	732	430	15	1/2
5	S442-1023	732	410	15	1/2
6	S442-2007	1499	450	18	2/2
7	S442-4031	726	60	15	2/2
8	S442-4032	726	60	15	2/2
9	S442-4033	726	60	15	1/2
10	S442-9009	699	357	2,5	2/2
11	S442-9308	692	739	2,5	1/2
12	ZS7-5091	677	110	15	2/2
13	ZS7-521	350	110	12	1/2
14	ZS7-522	350	110	12	1/2

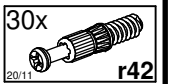
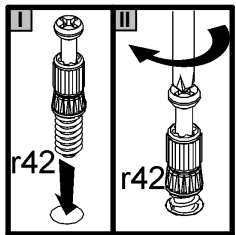
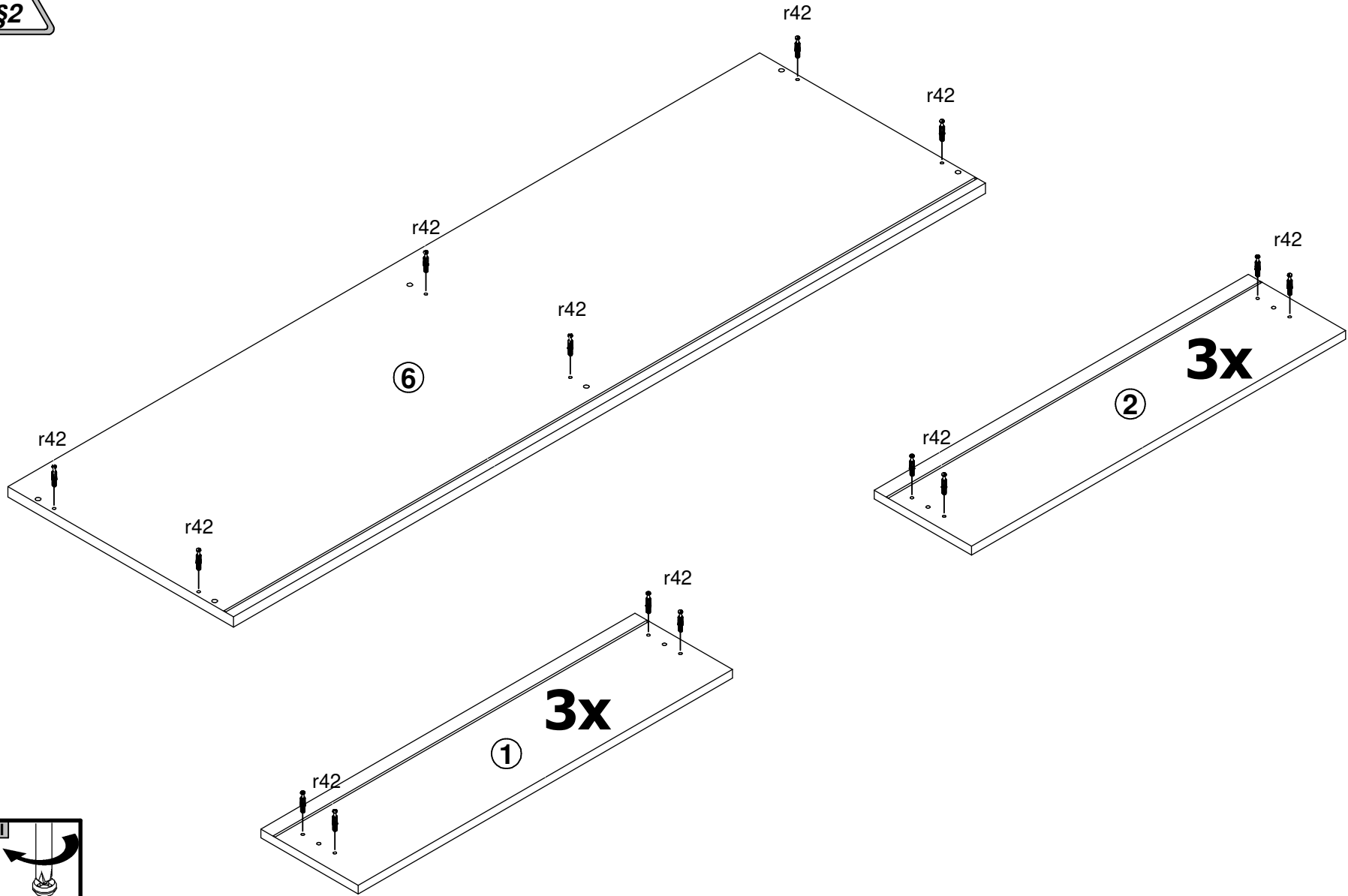


24x Ø5x9 mm e19	18x Ø6x13 mm e3	22x Ø8x30 mm f1	24x Ø6,5x40 mm f25	cm 0 1 2 3 4 5 6 7 8 9 10	12x Ø6x30 mm f9	8x Ø8x50 mm f6	6x k1	D 1/2
8x l2	4x 22x9,5x20,7 mm n108	6x Ø3,5x15 mm p51	6x Ø3x12 mm p54	48x Ø2,9x16 mm p55	6x Ø3,5x12 mm p140	14x Ø15x12 mm #16 r1	2x r10	24x Ø12x10,5 mm #12 r15
6x 350 mm w45\DL	6x 350 mm w45\DR	1x n26	1x Ø3,5x16 mm p38	34x 20/11 r42	6x 350 mm t35	6x 350 mm w45\CL	6x 350 mm w45\CR	

1 

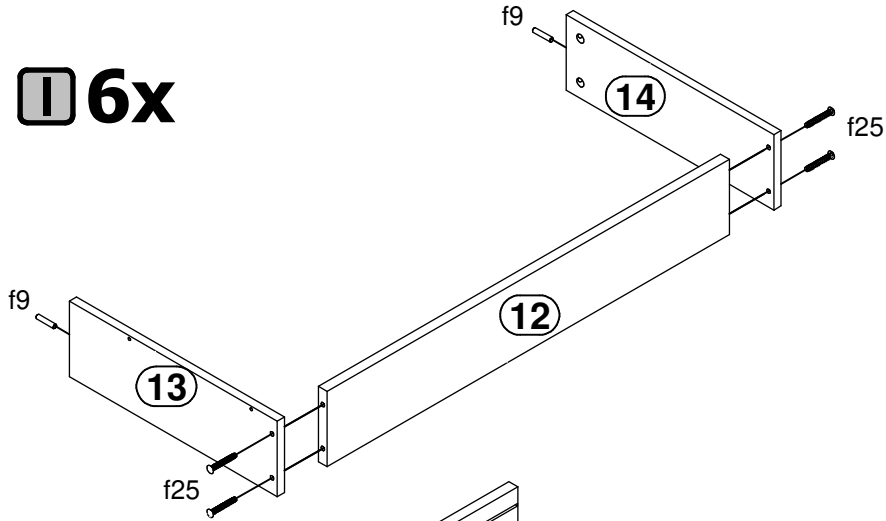


2 

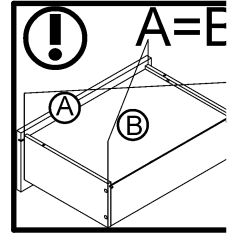
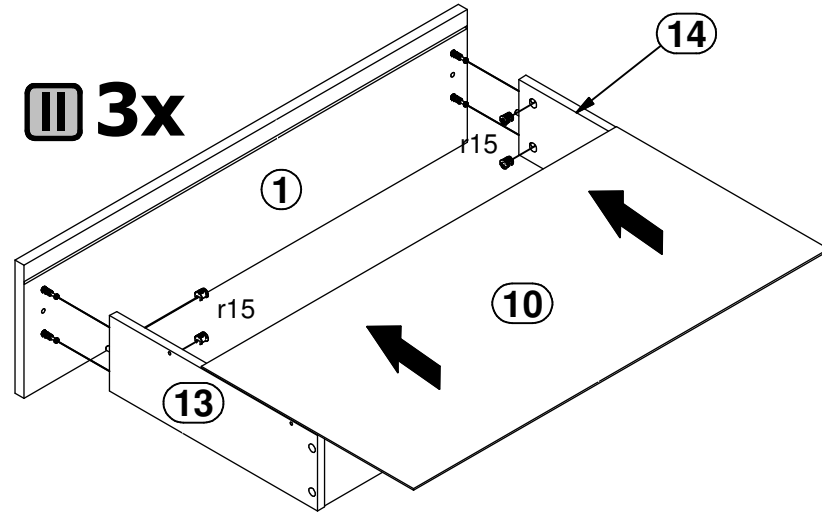


3  

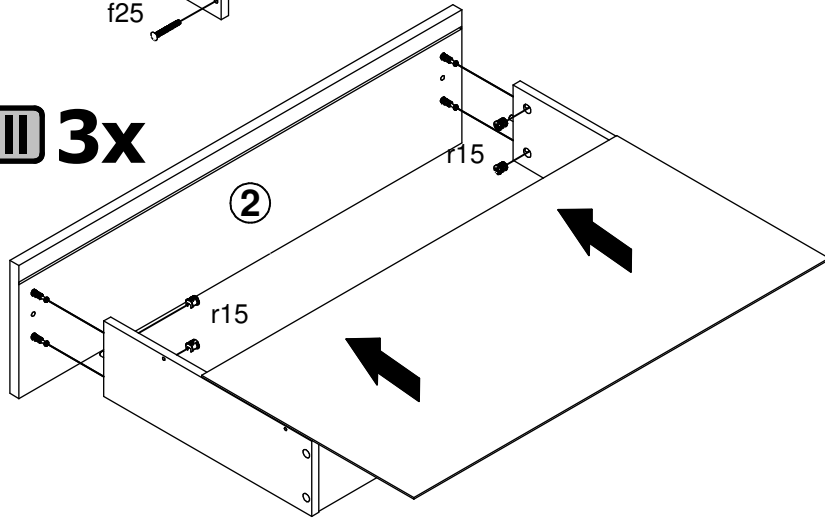
I 6x



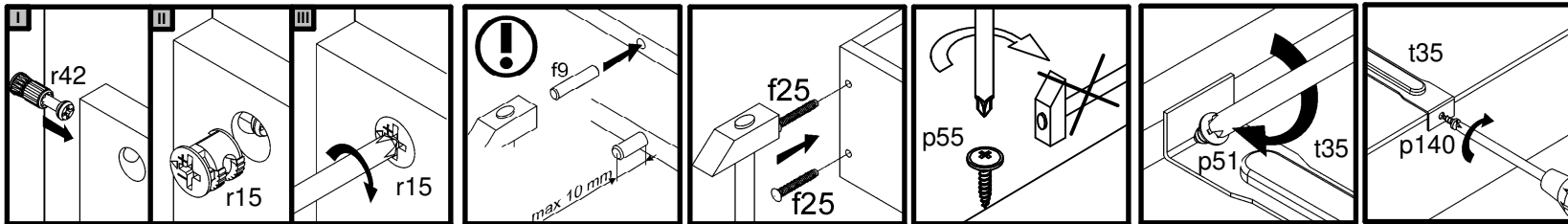
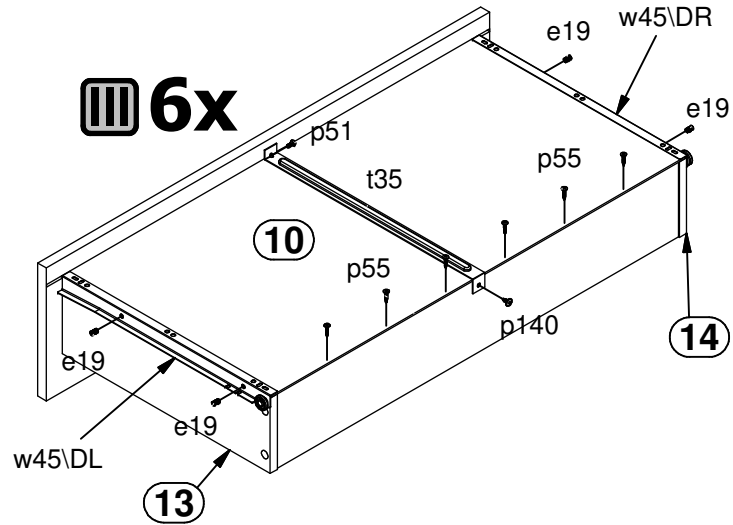
II 3x


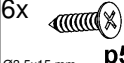
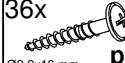


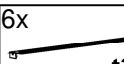
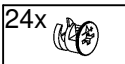
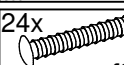
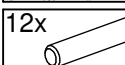


II 3x

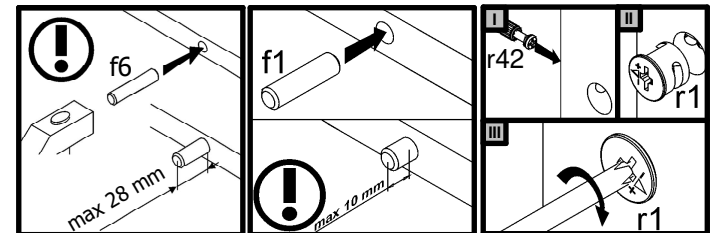
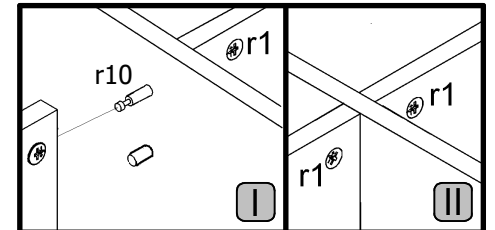
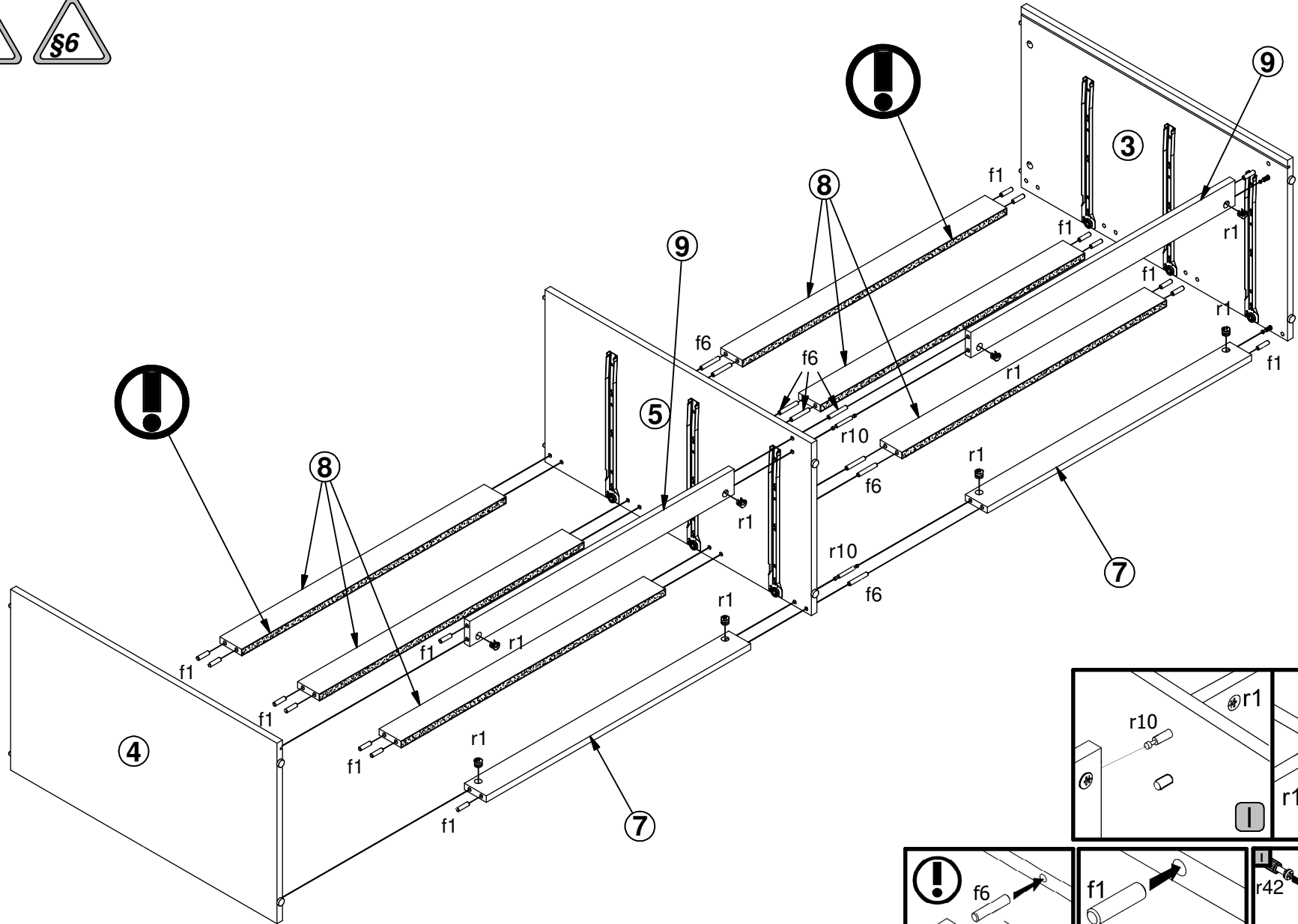


III 6x



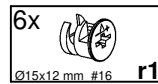
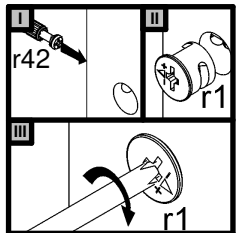
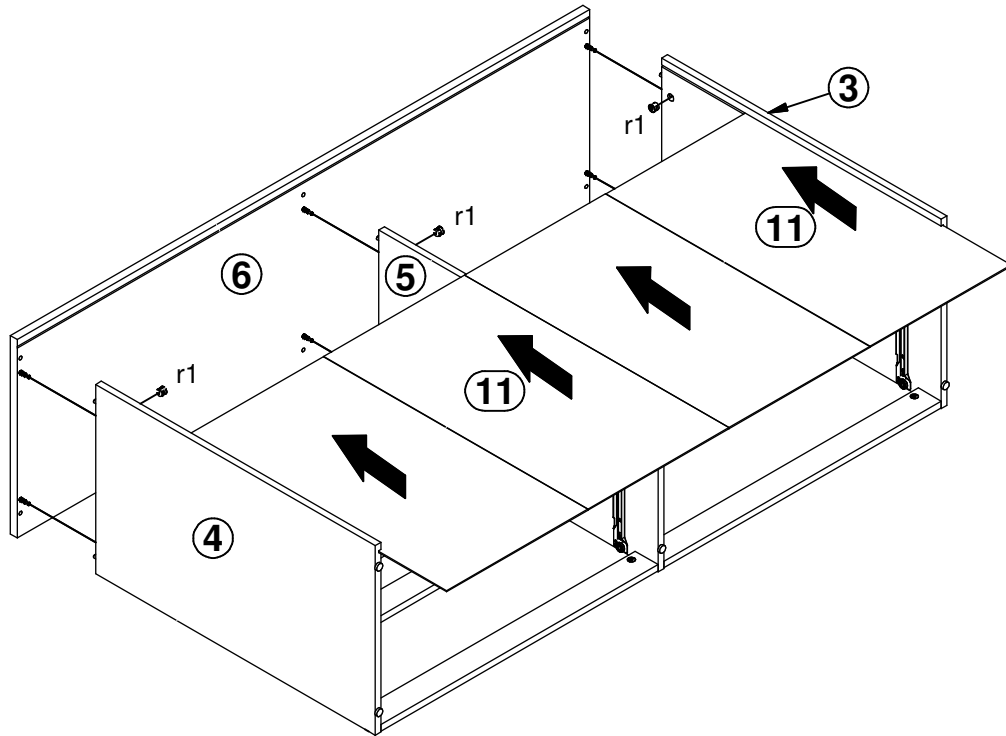
6x  Ø3.5x12 mm p140	6x  Ø3.5x15 mm p51	36x  Ø2.9x16 mm p55
6x  350 mm w45\DL	6x  350 mm w45\DR	
6x  350 mm t35	24x  Ø12x10.5 mm #12 r15	
24x  Ø6.5x40 mm f25	12x  Ø6x30 mm f9	

4

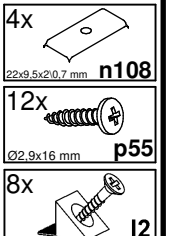
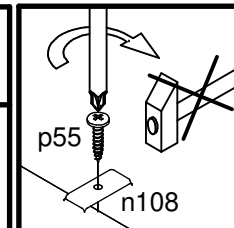
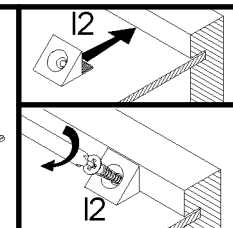
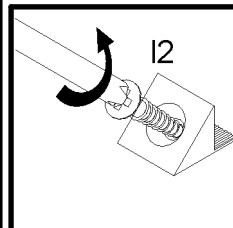
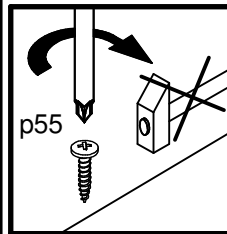
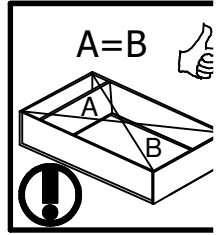
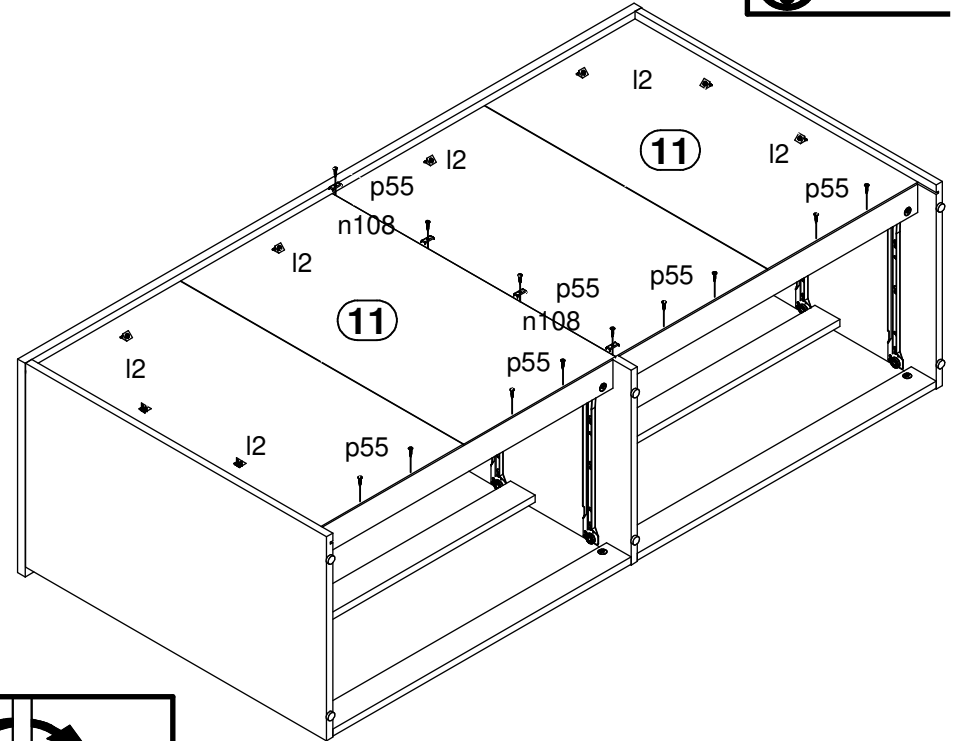


- 8x $\varnothing 15 \times 12 \text{ mm}$ #16 r1
- 2x r10
- 14x $\varnothing 8 \times 30 \text{ mm}$ f1
- 8x $\varnothing 8 \times 50 \text{ mm}$ f6

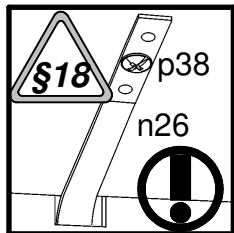
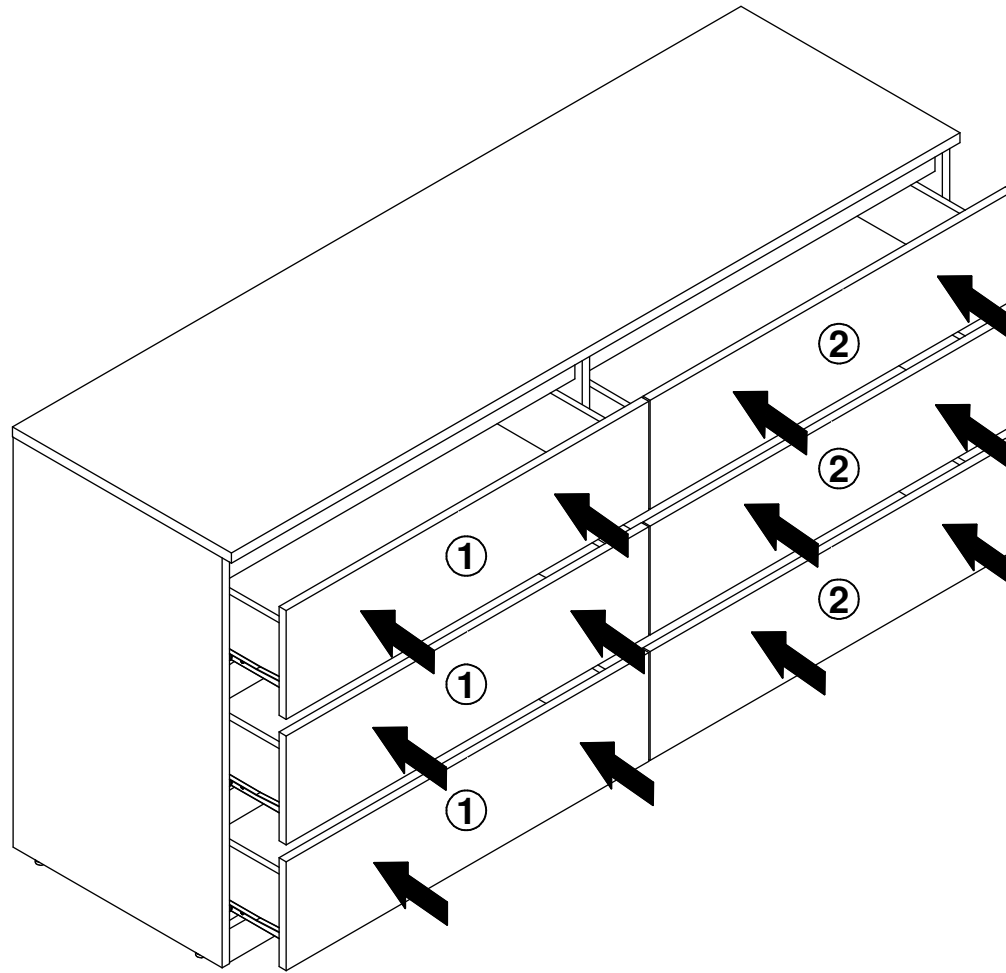
5 



6 



7 



8

